

Double Mandrel BPD

The "Better plastic dovetail"

The BPD is an improved design for a universal plastic pattern.

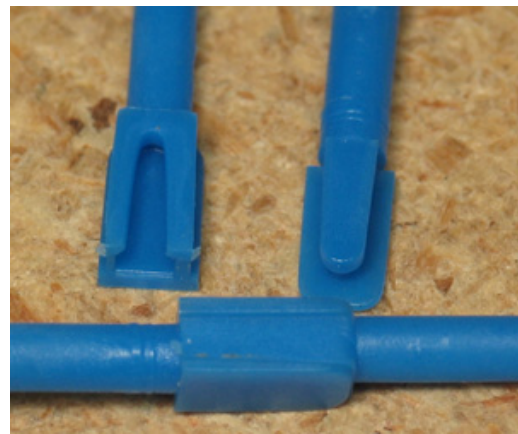
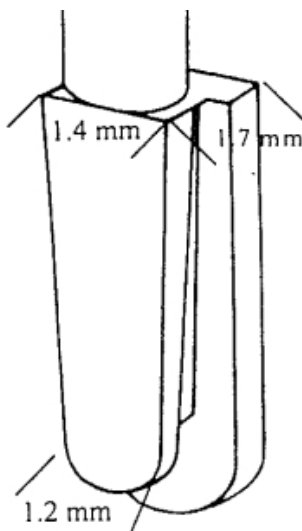
The simple to use plastic dovetail intracoronal attachment can be used for non-parallel abutments, segmented bridges, and removable partial dentures with a retentive clasp arm.

The built in mandrel on the male **and** female provides the convenience of using the BPD in a traditional manner, or inverting it. By **inverting the BPD**,

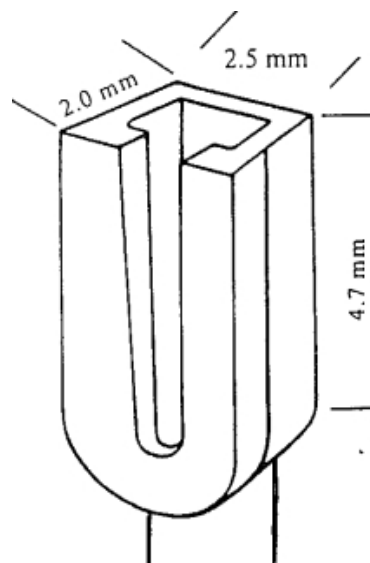
- No metal is shown on the occlusal surface for better esthetics.
- Placing the male extracoronal of the crown does not require additional space, or abutment reduction.
- On mandibular implant cases, the female tends to follow the taper of the male and allow for some flexing of the lower jaw.

The patterns are produced in a clean burnout plastic. The reduced size provides wider application, better abutment contours, and improved esthetics. Taper ensures easy insertion and well defined proximal plates provide increased stability. A universal attachment.

Quantity pricing at 12, 50, and 100



Double Mandrel BPD



800-232-7732/805-693-8666

www.preat.com